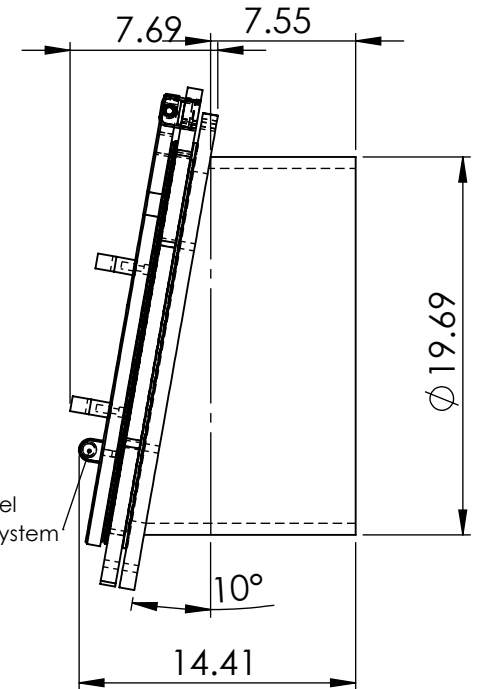
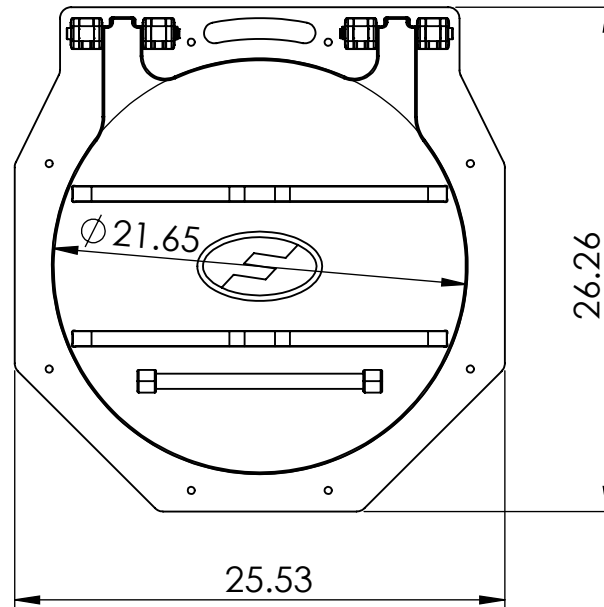


Coupling Sold Separately,
Contact Customer Service with Pipe OD



Enclosed 316 Steel
Counterweight System

NOTE: FOR GRAVITY DRAINAGE APPLICATIONS ONLY

1. Working pressure of 10.75 PSI
2. Cracking head 0.4 PSI
3. Coupling Sold Separately
4. Exceeds the leakage rate and manufacturing requirements as per BS 7775 and DIN 19569-4 for a Class 5 valve.

PROPRIETARY AND CONFIDENTIAL
THE INFORMATION CONTAINED IN THIS
DRAWING IS THE SOLE PROPERTY OF
FERNCO, INC. ANY REPRODUCTION IN
PART OR AS A WHOLE WITHOUT THE
WRITTEN PERMISSION OF FERNCO, INC.
IS PROHIBITED.

TOLERANCES:
FRACTIONAL ± 1/4"
.XX = ± .06
ANG. = +3°
UNLESS OTHERWISE SPECIFIED

GASKET	EPDM RUBBER	CONFORMS TO:	PART WEIGHT:	AUTHOR:	DATE:	SCALE:
BODY	HMWPE	BS 7775	39.7 lbs.	TYLER KELLER	5/20/2026	NOT TO SCALE
STEEL COMPONENTS	316SS	DIN 19569-4	REVISION:	CHECKER:	UNITS:	SHEET: 1 OF 1
			A		INCHES	