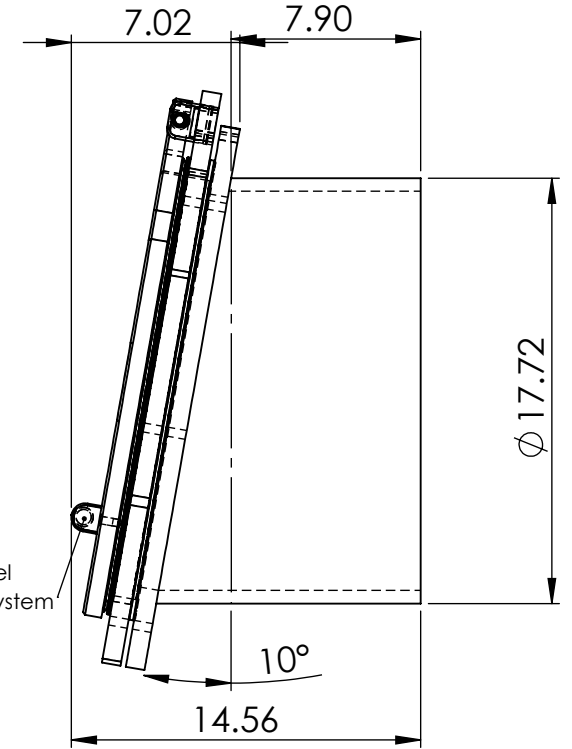
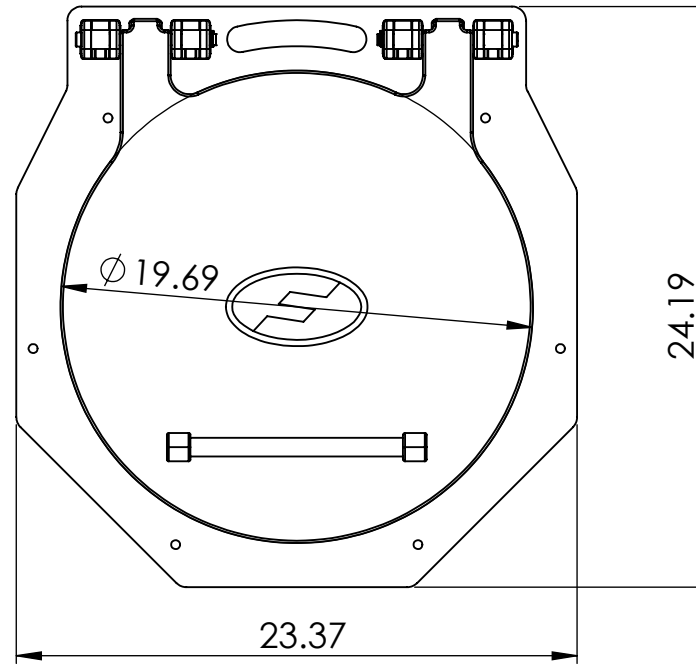


Coupling Sold Separately,  
Contact Customer Service with Pipe OD



**NOTE: FOR GRAVITY DRAINAGE APPLICATIONS ONLY**

1. Working pressure of 10.75 PSI
2. Cracking head 0.4 PSI
3. Coupling Sold Separately
4. Exceeds the leakage rate and manufacturing requirements as per BS 7775 and DIN 19569-4 for a Class 5 valve.

PROPRIETARY AND CONFIDENTIAL THE INFORMATION CONTAINED IN THIS DRAWING IS THE SOLE PROPERTY OF FERNCO, INC. ANY REPRODUCTION IN PART OR AS A WHOLE WITHOUT THE WRITTEN PERMISSION OF FERNCO, INC. IS PROHIBITED.

TOLERANCES:  
FRACTIONAL ± 1/4"  
.XX = ± .06  
ANG. = +3°  
UNLESS OTHERWISE SPECIFIED

GASKET	EPDM RUBBER
BODY	HMWPE
STEEL COMPONENTS	316SS

CONFORMS TO:  
BS 7775  
DIN 19569-4

PART WEIGHT:  
33.1 lbs.  
REVISION:  
A

AUTHOR:  
TYLER KELLER  
CHECKER:

DATE:  
5/20/2026  
UNITS:  
INCHES

SCALE:  
NOT TO SCALE  
SHEET: 1 OF 1