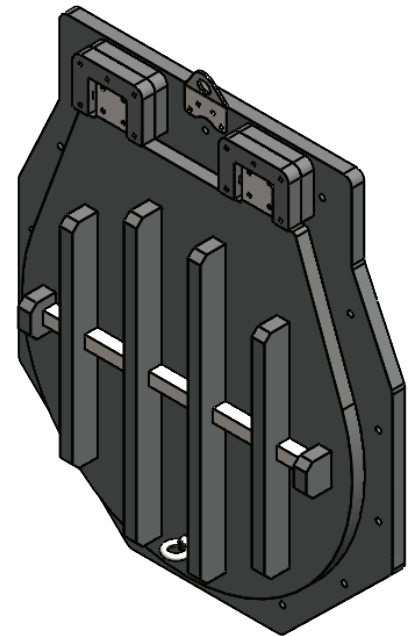


24" HMWPE WALL MOUNT

FLAP VALVES

Fernco 24" Wall Mount HMWPE Flap Valve provides passive backflow protection at stormwater outfalls and drainage discharge points. Designed to fasten to a flat wall or headwall surface, it allows water to exit freely while closing automatically under reverse flow conditions to help protect upstream systems from flooding and contamination. Lightweight, corrosion-resistant construction supports long-term performance in harsh outdoor environments.

- Co-extruded sealing interface eliminates added tapes or sealants
- HMWPE body provides corrosion resistance with lightweight handling
- Passive, non-powered operation closes under reverse flow
- Integrated sealing surface helps reduce backflow leakage
- 316 Stainless steel hardware provides long-term outdoor performance



Product Specifications

| | |
|----------------|---|
| Product Number | FV24 |
| Description | Wall Mounted Flap Valve |
| Size | 24-inch |
| Materials | <ul style="list-style-type: none"> • Body/Backplate: HMWPE • Seal: EPDM (BS EN 681-1:1996) • Counterweight & Hardware: 316 SS • Hinges and Other Components: Glass-filled nylon (GFN) |
| Part Weight | 81.6 lbs |

| | |
|-----------------------------|---|
| Standards | Fernco Flap Valves exceed the leakage and performance requirements of: <ul style="list-style-type: none"> • DIN 19569-4 • BS 7775:2005 • Manufactured under an ISO 9001:2015 certified quality system. |
| Recommended Max Temperature | Constant 120°F Intermittent 180°F |
| Country of Origin | United Kingdom (UK) |
| Note | <ul style="list-style-type: none"> • For gravity drainage applications only • Working pressure of 10.75 PSI • Cracking head 0.4 PSI • FVMS-06-US wall mounting kit, sold separately |

