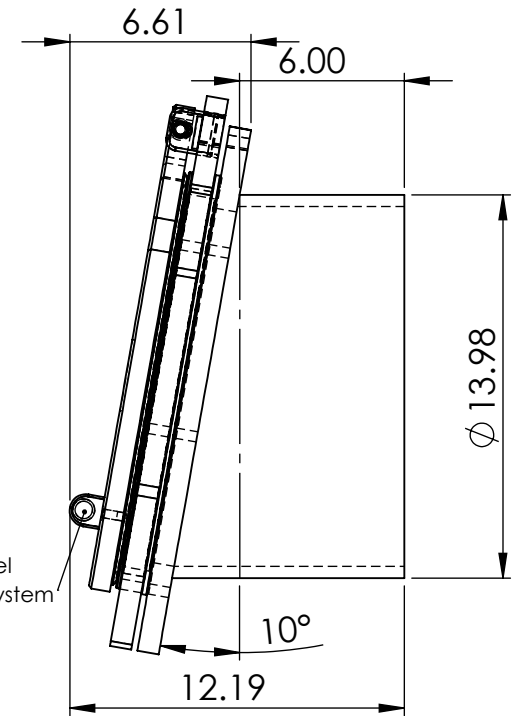
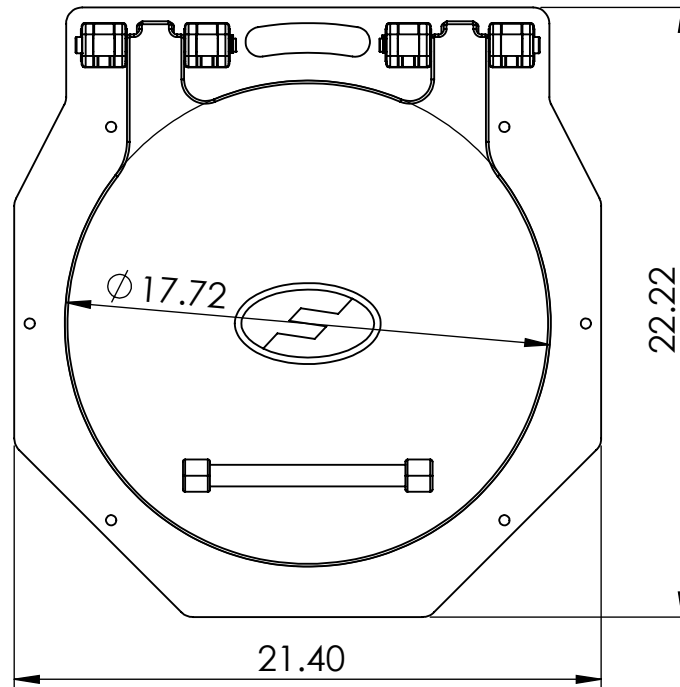


Coupling Sold Separately,
Contact Customer Service with Pipe OD



- NOTE: FOR GRAVITY DRAINAGE APPLICATIONS ONLY**
1. Working pressure of 10.75 PSI
 2. Cracking head 0.4 PSI
 3. Coupling Sold Separately
 4. Exceeds the leakage rate and manufacturing requirements as per BS 7775 and DIN 19569-4 for a Class 5 valve.

PROPRIETARY AND CONFIDENTIAL
THE INFORMATION CONTAINED IN THIS
DRAWING IS THE SOLE PROPERTY OF
FERNCO, INC. ANY REPRODUCTION IN
PART OR AS A WHOLE WITHOUT THE
WRITTEN PERMISSION OF FERNCO, INC.
IS PROHIBITED.

TOLERANCES:
FRACTIONAL ± 1/4"
.XX = ± .06
ANG. = +3°
UNLESS OTHERWISE SPECIFIED

| | |
|------------------|-------------|
| GASKET | EPDM RUBBER |
| BODY | HMWPE |
| STEEL COMPONENTS | 316SS |

| | |
|--------------|------------------------|
| CONFORMS TO: | BS 7775 DIN 19569-4 |
|--------------|------------------------|

| | |
|--------------|-----------|
| PART WEIGHT: | 22.1 lbs. |
| REVISION: | A |

| | |
|----------|--------------|
| AUTHOR: | TYLER KELLER |
| CHECKER: | |

| | |
|--------|-----------|
| DATE: | 5/20/2026 |
| UNITS: | INCHES |

| | |
|--------|--------------|
| SCALE: | NOT TO SCALE |
| SHEET: | 1 OF 1 |