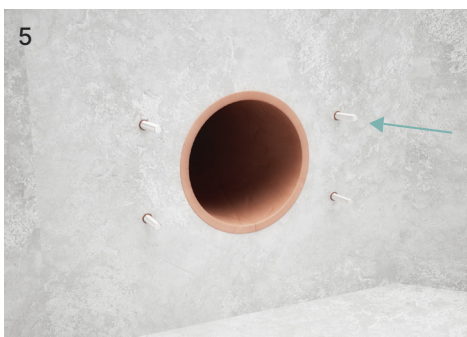
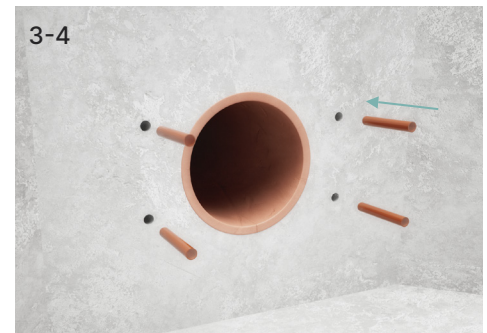
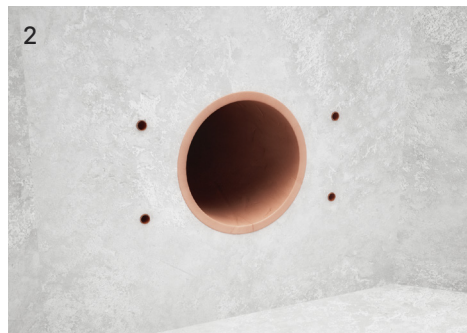




Wall Mount Flap Valve Instructions



Scan for
Installation Video



Installation Guide

1. Position the Flap Valve against the wall in the desired mounting location, ensuring the hinges are at the 12-o'clock position. Use a level to confirm the Flap Valve is straight, then mark the drilling locations using the wall mounting holes.
2. Remove the Flap Valve and drill the marked holes using a suitable drill. Use the drill bit size as shown in the table below. Drill to the hole depth indicated in the table below.
3. Clean all dust and debris from the drilled holes and the wall surface.
4. Insert the chemical capsules into each hole.
5. Using a suitable drill, drive the supplied bolts into the holes and chemical capsules until the full hole depth is reached. Detach the drill from the bolt and remove any excess residue around the hole. Allow the chemical to cure; curing time is shown in the table below.
6. Place the Flap Valve over the bolts, then install the supplied washers and nuts. Tighten to the recommended torque shown in the table below.

Wall Mounting Kit Installation Requirements

Bolt Size	Drill Bit Required	Drilled Depth	Recommended Torque
M8	10 mm	3.15 in (80 mm)	35 in-lbs
M12	14 mm	3.94 in (100 mm)	70 in-lbs

Chemical Capsule Cure Time

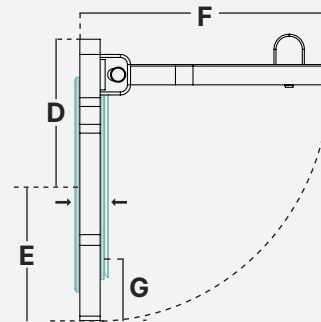
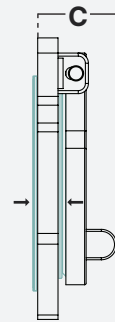
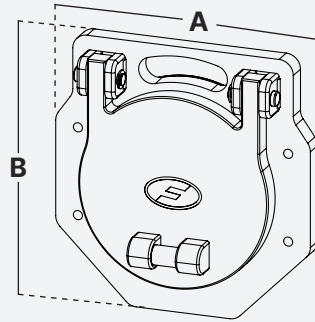
Temp	5° to 14°F	15° to 23°F	24° to 32°F	33° to 41°F	42° to 50°F	51° to 68°F	69° to 86°F	87° to 104°F
Cure Time	30 hr	16 hr	10 hr	45 min	30 min	20 min	5 min	3 min

Wall Mounted Flap Valves

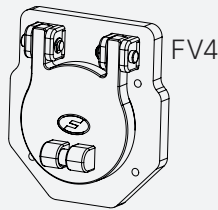
Technical Specifications



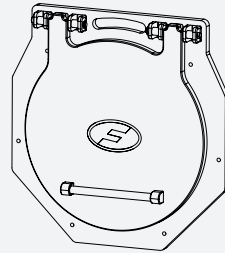
FV6



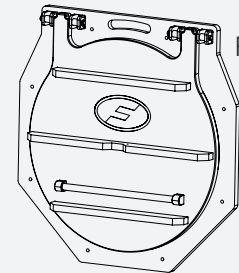
EPDM Co-Extrusion Seal (FV6+)



FV4



FV18



FV24

Product Code	Pipe Size (in)	A (in)	B (in)	C (in)	D (in)	E (in)	F (in)	G (in)	Mounting Hole PCD (in)	Head Pressure (ft)	Weight (lbs)
FV4	4	8.32	9.23	3.00	5.08	4.17	8.07	2.20	7.20	25.0	3.20
FV6	6	10.78	11.43	3.07	6.06	5.39	9.73	2.44	9.45	25.0	4.60
FV8	8	13.39	13.72	3.07	7.05	6.69	11.71	2.80	12.28	25.0	6.40
FV10	10	14.90	15.40	3.05	7.95	7.48	13.56	2.56	13.78	25.0	7.90
FV12	12	16.87	17.39	3.05	8.98	8.43	15.55	2.56	15.75	25.0	9.70
FV14*	14	21.40	22.22	3.11	11.53	10.70	20.54	2.82	20.28	25.0	15.43
FV15*	15	21.40	22.22	3.11	11.53	10.70	20.54	2.82	20.28	25.0	15.43
FV16*	16	23.37	24.19	3.11	12.51	11.68	22.49	2.82	22.24	25.0	17.64
FV18*	18	25.53	26.26	3.11	13.49	12.77	24.47	2.92	24.41	25.0	22.05
FV20*	20	29.67	29.31	2.84	14.50	14.81	26.35	3.97	28.54	25.0	28.66
FV21*	21	29.67	30.30	3.05	15.46	14.83	28.35	3.02	28.54	25.0	30.86
FV24*	24	35.24	40.58	5.27	22.96	17.62	37.83	3.84	33.46	25.0	81.57

* **Special Order:** Lead time and minimum quantities may apply—confirm at time of order.

Ask us about custom sizes

Mounting Sets

Flap Valve	Mounting Holes	Part Code	Description
FV4-FV8	4	FVMS-01-US	Flap Valve Mounting Set A4 Stainless Steel Bolts and Chemical Anchors 4xM8
FV10 - FV12	5	FVMS-02-US	Flap Valve Mounting Set A4 Stainless Steel Bolts and Chemical Anchors 5xM8
FV14 - FV16	6	FVMS-03-US	Flap Valve Mounting Set A4 Stainless Steel Bolts and Chemical Anchors 6xM8
FV18 - FV21	8	FVMS-04-US	Flap Valve Mounting Set A4 Stainless Steel Bolts and Chemical Anchors 8xM8
FV24	14	FVMS-06-US	Flap Valve Mounting Set A4 Stainless Steel Bolts and Chemical Anchors 14xM12

FVMS-01-US

